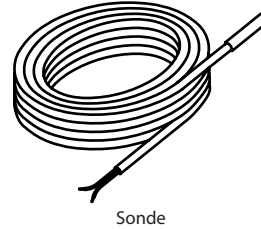
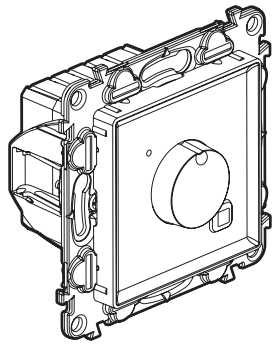


# Valena™ Life Floor heating thermostat

Cat. No(s): 7 521 34 - 7 522 34 - 7 523 34 - 7 563 34



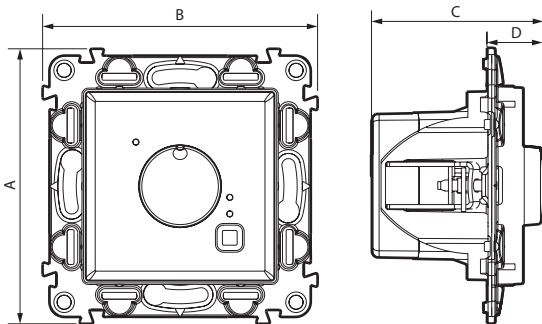
### 1. USE

Control device for programming and regulating heating units for floor heating systems.  
 Delivered with sonde (4 m).  
 With N/O free contact and LED.  
 Mechanisms to be equipped with plates.  
 Screw or claw fixing.

### 2. RANGE

Designation	White	Ivory	Aluminium	Black
Floor heating thermostat	7 521 34	7 522 34	7 523 34	7 563 34

### 3. DIMENSIONS (mm)



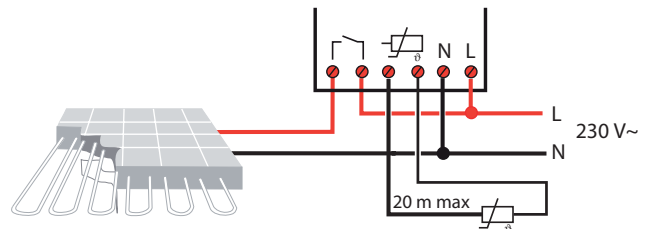
A	B	C	D
75	75	47	15.5

### 4. CONNECTION

Number of terminals: 6  
 Type of terminals: with screws  
 Terminal capacity: 2 x 1.5 mm<sup>2</sup> flexible or rigid cable  
 Stripping length: 6 mm  
 Tool: flat screwdriver 3.5 mm

### 4. CONNECTION (continued)

Wiring:



### 5. FUNCTION

The thermostat (heating/cooling) is equipped with a temperature sensor and provides a changover relay switched depending on the ambient temperature.

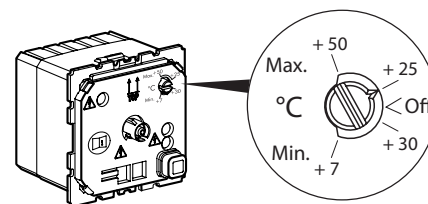
The regulation is ensured by an algorithm with a pulse-width controlled output (0...100% thus ensuring a minimal temperature variation relative to the ambient temperature).

Setting range from room temperature: from 7°C to 40°C

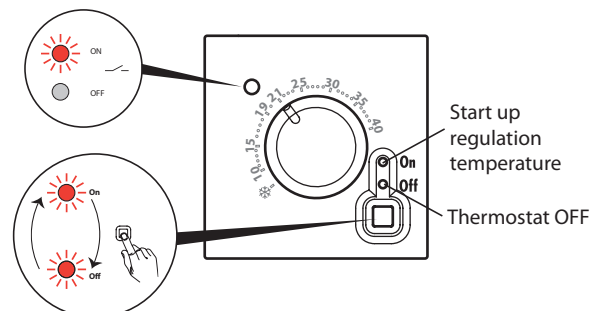
Setting range of the floor temperature:

- max: from 25°C to 50°C
- min: from 7°C to 30°C

#### ■ 5.1 Setting the floor temperature (external sensor)



#### ■ 5.2 Setting the room temperature (internal sensor)



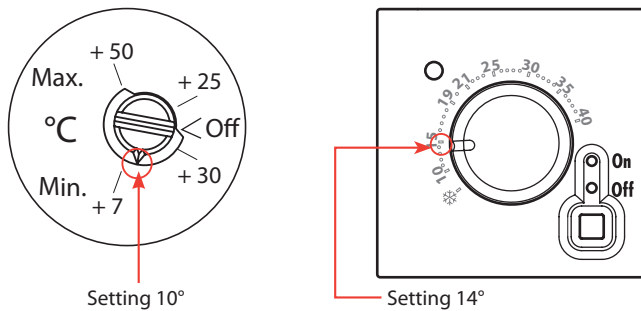
**5. FUNCTION** *(continued)*

The external probe is used to limit the temperature in the floor.

3 positions for adjusting the floor temperature:

- choice of a maximum temperature (+25°C, +50°C)
- choice of a minimum temperature (+7°C, +30°C)
- no temperature measurement (OFF)

**Example:** Ambient temperature set to 14°C with a protective low temperature set to 10°C, the relay will be switched on as soon as one of the two temperatures will be lower than the respective directions.



**8. STANDARDS AND APPROVALS**

Compliant with installation and manufacturing standards.

Refer to e. catalogue.

TC technical regulation "on the safety of low voltage equipment"

**6. TECHNICAL CHARACTERISTICS**

■ **6.1 Mechanical characteristics**

Protection against solid bodies and liquids: IP 40

Protection against impact: IK 02

■ **6.2 Material characteristics**

Colour: White RAL 9003

Ivory RAL 1013

Painted Aluminium (C003A)

Painted Black (C014A)

Material: Cover-plate: ABS

Mechanism casing: PC

Support: PC grey RAL 7037 + metal

Claws: Steel

Halogen-free

UV-resistant

Self-extinguishing:

850°C/30 s for insulating components holding live parts in place.

650°C/30 s for other insulating components.

■ **6.3 Electrical characteristics**

Voltage: 230 V~

Current: 16 A

Frequency: 50/60 Hz

■ **6.4 Climate characteristics**

Storage temperature : -10°C to +70°C

Usage temperature: 0°C to +40°C

**7. MAINTENANCE**

Surface cleaning with a cloth.

Do not use: acetone, tar remover, trichloroethylene.

Maintenance with the following products:

Hexane (EN 60669-1), methylated spirit, soapy water, diluted ammonia, pure bleach diluted to 10%, window-cleaning products, pre-impregnated wipes.

**Caution:** Always test before using other special cleaning products.