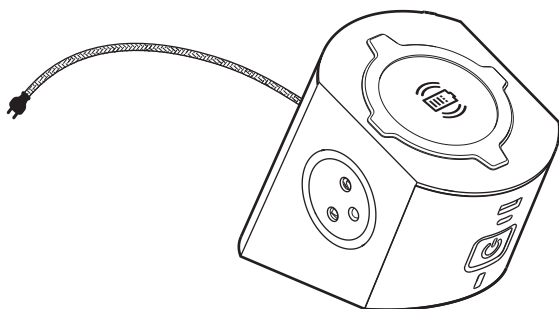
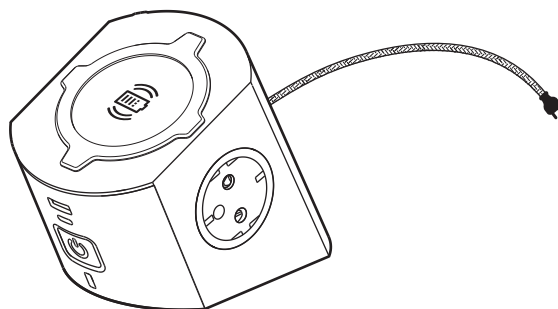


## Multi-outlet charging station with wireless power charger and USB Type-A + USB Type-C ports

Cat. No(s): 0 494 02/12 - 6 945 00/06

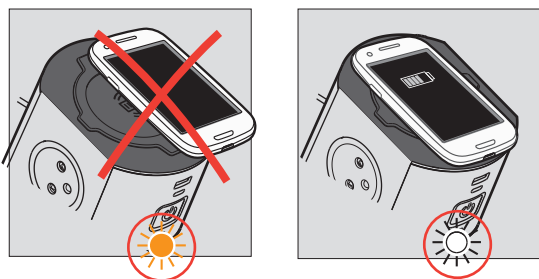


0 494 02/12



6 945 00/06

### 1. USE

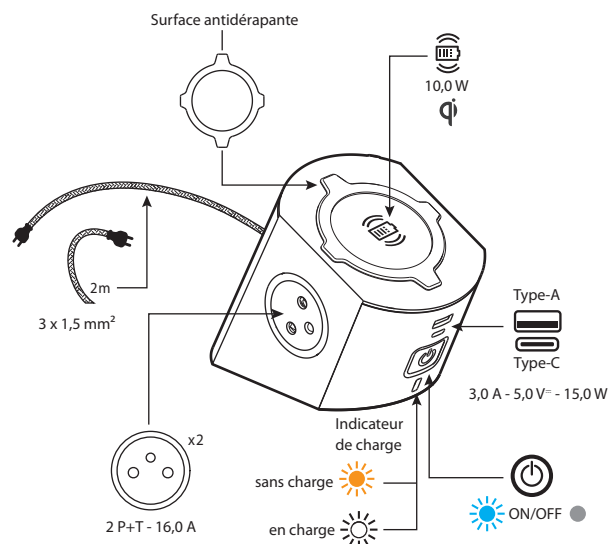


Compact charging station for temporary connections.  
 With 3 types of charge: USB Type-A - USB Type-C - Wireless.  
 Provides a top-up or full charge for a smartphone with a Qi wireless receiver.  
 Its plate at a 25° angle means you can see your smartphone screen while it is charging.  
 Surface with non-slip coating to hold the terminal safely in place during charging.  
 Fits on a piece of furniture, desk, bedhead, etc.

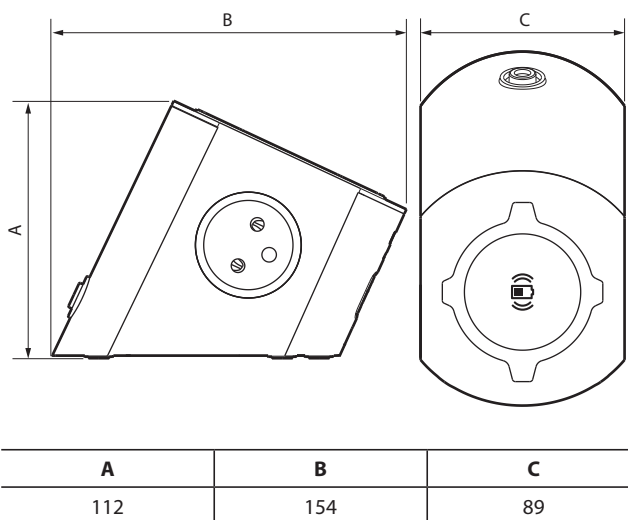
### 2. RANGE

Description	Taupe/Black	White/Black
This charging station comprises:		
- 1 Qi wireless power charger - 10.0 W - with plate at an angle	0 494 02 French/ Belgian standard	0 494 12 French/ Belgian standard
- 1 USB Type-A+C charger - 15.0 W		
- 2 x 2P+E flush sockets with safety shutter		
- 2 m power supply cord: 3 G 1.5 mm <sup>2</sup>		
With ON/OFF illuminated switch (blue LED)	6 945 00 German standard	6 945 06 German standard
With LED for charging indicator: - orange: not charging - white: charging		

### 3. PRESENTATION



### 4. DIMENSIONS (mm)



## 5. TECHNICAL CHARACTERISTICS

### ■ 5.1 Mechanical characteristics

Impact tests: IK 04

Protection against solid/bodies and liquids: IP 20

### ■ 5.2 Material characteristics

Polypropylene

Halogen-free

UV-resistant

Self-extinguishing:

750°C/30 s for insulating components holding live parts in place.

650°C/30 s for other insulating components.

### ■ 5.3 Electrical characteristics

• 2P+E socket outlets: Voltage: 230 V~

Current: 10 A

Power: max. 2300 W

#### • USB A+C:

Nominal input voltage	220-240 V~
Nominal input frequency	50 Hz
Nominal input current	0.5 A max.
Nominal output current	3.0 A shared over outputs A and C
Output power	15.0 W max.
Nominal output voltage	5.0 V=
Average active efficiency	83.4%
Low-load efficiency (10%)	81.2%
Electricity consumption when not charging	0.09 W

#### • Qi-certified wireless (version 1.2.4):

Nominal input voltage	220-240 V~
Nominal input frequency	50 Hz
Nominal input current	0.5 A max.
Standby consumption without a terminal	< 1.2 W
Output power	10.0 W
Energy efficiency	> 75%
Frequency band	110-205 kHz
Magnetic field level	< 73 dB $\mu$ A/m at 3 m

### ■ 5.4 Climate characteristics

Usage temperature: 0°C to +40°C

Storage temperature: -20°C to +70°C

## 6. CARE

Surface cleaning with a cloth.

Do not use: acetone, tar remover, trichloroethylene.

**Caution:** Always test before using other special cleaning products.

## 7. STANDARDS AND APPROVALS

The undersigned, LEGRAND, declares that the radio-electric equipment type (0 494 02/12 - 6 945 00/06) complies with directive 2014/53/EU.

The full text of the EU declaration of conformity is available on the following website: [www.legrandoc.com](http://www.legrandoc.com)

Compliant with installation and manufacturing standards.

See e. catalogue.